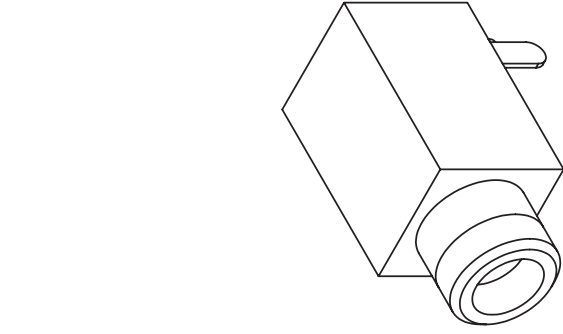


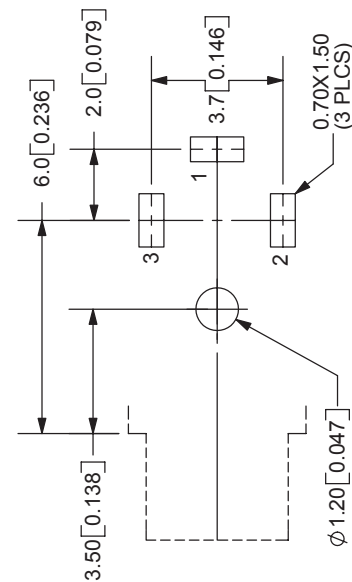
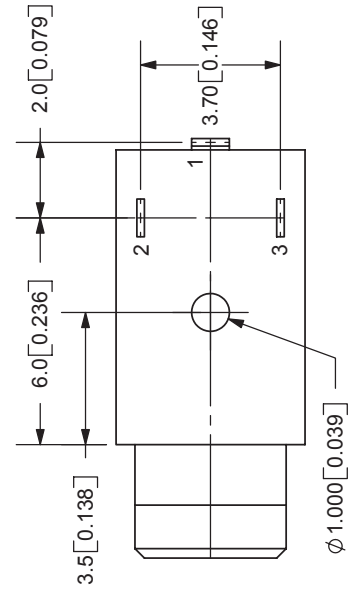
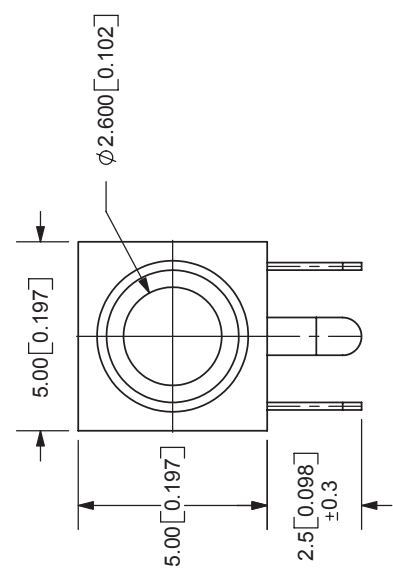
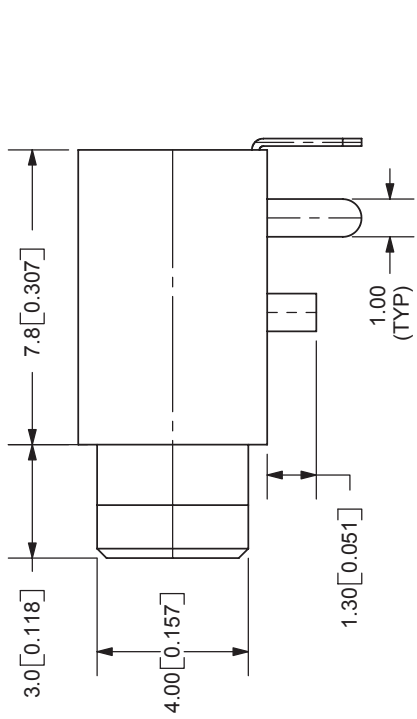
REV.	DESCRIPTION	DATE
A	NEW DRAWING	1/18/2006



TOLERANCE:
 X.X ±0.2mm
 X.XX ±0.1mm
 X.XXX ±0.05mm



20050 SW 112th Ave.
 Tualatin, OR 97062
 Phone: 503-643-4899
 800-275-4899
 Fax: 503-372-1266
 Website: www.cui.com



PCB LAYOUT
TOP VIEW

SPECIFICATIONS:
 RATING: 12V DC @ 1A
 CONTACT RESISTANCE: 100m OHMS MAX
 INSULATION RESISTANCE: 100M OHMS MIN: 500V DC
 VOLTAGE WITHSTAND: 500V AC R.M.S. FOR 1 MINUTE
 LIFE: 5,000 CYCLES
 OPERATING TEMP: -25° ~ +85°C

TERMINAL	MATERIAL	PLATING
TERMINAL 1	Brass	Tin
TERMINAL 2	Copper Alloy	Tin
TERMINAL 3	Copper Alloy	Tin
BUSHING	Brass	Nickel
HOUSING	PBT	

TITLE:	2.5mm PHONE JACK	REV:	A
PART NO:	MJ1-2503A	UNITS:	MM [INCHES]
DRAWN BY:	ZRJ	APPROVED BY:	
		SCALE:	4:1

MODEL NO.	MJ1-2503A
SCHEMATIC	